

Free Standing 90° FDC Inlet

A free standing 90° type fire department inlet connection is designed to provide supplemental water to a building's fire protection system.

3" NYFD threaded swivel inlet connections.

250 GPM per inlet; 175 PSI max operating pressure

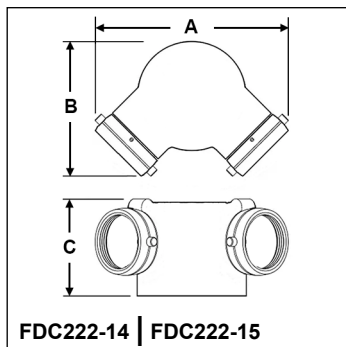
U/L Listed, FDNY Approved. Contact us for current approvals.



Model #	Size & Configuration	Clappers	A	B	C
FDC222-14	4" F NPT x 3" x 3"	2	12 3/8"	7 9/16"	5 15/16"
FDC222-15	6" F NPT x 3" x 3"	2	12 1/4"	8 9/16"	6 1/8"

Specify Finish:

- RB** Rough Brass
- PB** Polished Brass
- PC** Polished Chrome



Optional Accessories



Round Wall Plates

Available in a variety of sizes, finishes, and lettering options



Plugs & Chains

Painted red, yellow, or green to correspond



Sleeves

Available in a variety of finishes