

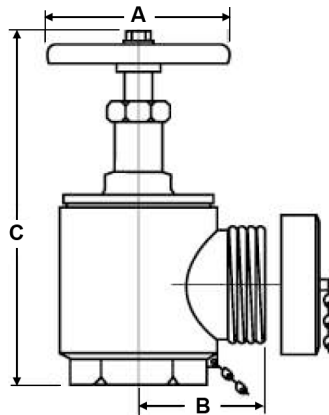
Pressure Restricting Angle Hose Valve

Used as a Fire Department Outlet Connection in standpipe systems. Restricting valves reduce downstream water pressures under flowing conditions. Settings are field-adjustable and can be overridden if full flow is required.

Rated for 300 PSI max operating pressure. U/L listed (175 PSI as a restricting valve) & NYFD Approved. Contact us for current approvals.

Part Number	Size	Configuration	Finish
AVAPR250F-IW-NYFD	2 ½"	Female NPT x Male NYFD	Rough Brass
AVAPR250FPB-IW-NYFD	2 ½"	Female NPT x Male NYFD	Polished Brass
AVAPR250FPC-IW-NYFD	2 ½"	Female NPT x Male NYFD	Polished Chrome
AVAPR250F-IGW-NYFD	2 ½"	Groove x Male NYFD	Rough Brass
AVAPR250FPB-IGW-NYFD	2 ½"	Groove x Male NYFD	Polished Brass
AVAPR250FPC-IGW-NYFD	2 ½"	Groove x Male NYFD	Polished Chrome

	2 ½"
A	5"
B	3.1875"
C Open (Threaded)	11"
C Open (Grooved)	12"
C Closed (Threaded)	9.25"
C Closed (Grooved)	10.125"



Pressure Restricting Device

Used to reduce water pressure under flowing conditions. Attaches directly to the outlet of NYFD threaded standpipe hose valves, as well as rack nipples for use in hose rack assemblies.

Rated for 175 PSI max operating pressure. U/L listed & NYC Approved.

Part Number	Size	Configuration	Finish
APRD250NYFD	2 ½"	Female x Male NYFD	Rough Brass
APRD250PBNYFD	2 ½"	Female x Male NYFD	Polished Brass
APRD250PCNYFD	2 ½"	Female x Male NYFD	Polished Chrome

