

Angle Hose Valve

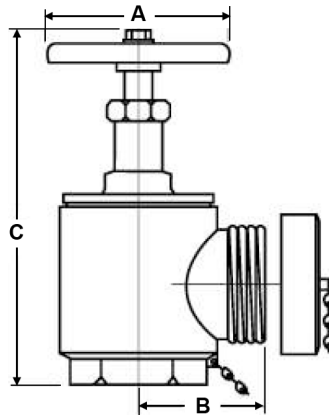
Used as a Fire Department Outlet Connection.

Rated for 300 PSI max operating pressure.

U/L listed & NYFD Approved. Contact us for current approvals.

Part Number	Size	Configuration	Finish
V25FMRBNYFD	2 ½"	Female NPT x Male NYFD	Rough Brass
V25FMPBNYFD	2 ½"	Female NPT x Male NYFD	Polished Brass
V25FMPCNYFD	2 ½"	Female NPT x Male NYFD	Polished Chrome
V25GMRBNYFD	2 ½"	Groove x Male NYFD	Rough Brass
V25GMPBNYFD	2 ½"	Groove x Male NYFD	Polished Brass
V25GMPCNYFD	2 ½"	Groove x Male NYFD	Polished Chrome

	2 ½"
A	5"
B	3.1875"
C Open (Threaded)	11"
C Open (Grooved)	11.8"
C Closed (Threaded)	9.25"
C Closed (Grooved)	10.5"



Optional Accessories



Reducers

Available in a variety of finishes

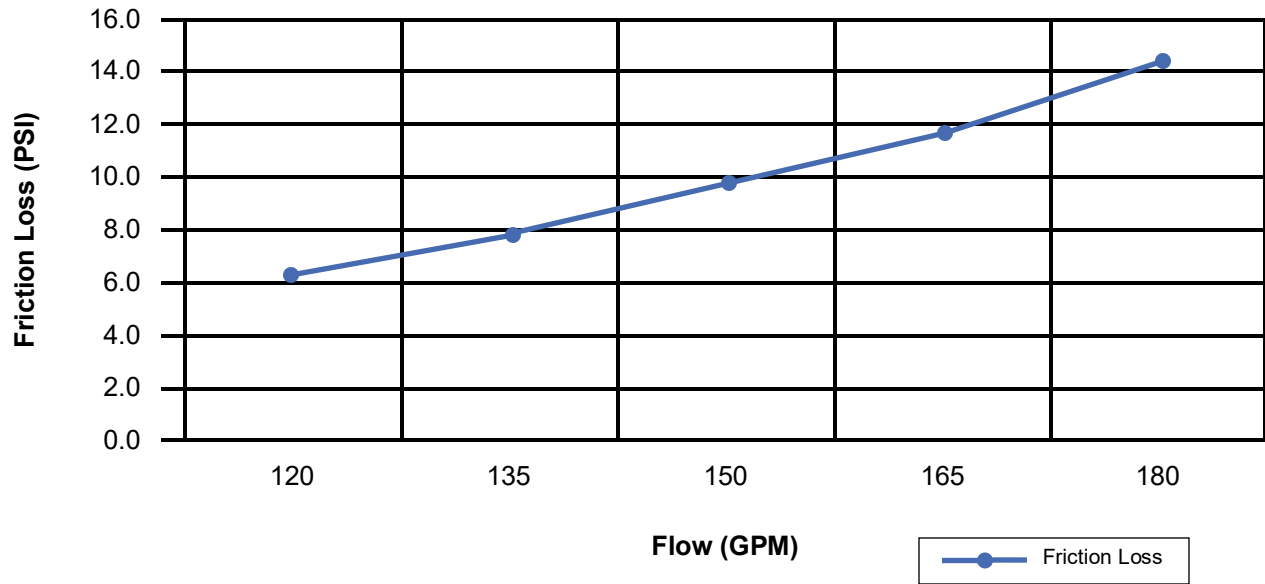


Caps & Chains

Available in a variety of finishes

Continued on page(s) below:

1½" Hose Valve Friction Loss



2½" Hose Valve Friction Loss

