

Hose Rack Assemblies

Designed for immediate means of fire control. Capable of one person operation. Meets both the NFPA standard for Class III service and nationally recognized standard of 100 GPM @ 65 PSI at the nozzle.

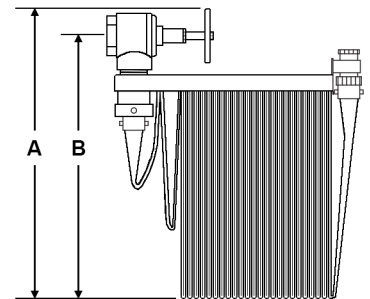
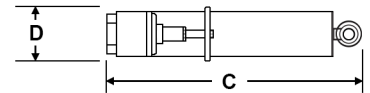
Furnished complete with all components shown below.



Part Number	Valve Size	Hose Size	Hose Length	Dimensions			
				A	B	C	D
HRA255-NYFDB	2½"	1½"	50'	34"	31½"	22"	5"
HRA257-NYFDB	2½"	1½"	75'	34"	31½"	22"	5"
HRA251-NYFDB	2½"	1½"	100'	34"	31½"	22"	5"
HRA25125-NYFDB	2½"	1½"	125'	34"	31½"	22"	5"

Standard Components

Qty	Component Part #	Description
1	HSERH-NYFDB	1½" 500 PSI (TEST) UL Rack Hose w/ Brass Couplings NYFD (Max. 50' continuous lengths per NYC Code)
1	RACK25	Red Enamel Pin Rack for 2½" Valve, 1½" Hose, 125' Capacity, *UL
1	RACNIP25-NYFD	2½" NYFD Rack Nipple (2½" Male NPT x 2½" Male NYFD)
1	V25FFRB	2½" Female x Female NPT Angle Rough Brass Hose Valve 300 PSI *UL
1	327NYFD	2½" Female NYFD x 1½" Male NYFD Rough Brass Pin Lug Reducer
1	1675NYFD	1½" Brass Adjustable Fog Nozzle NYFD *UL



Optional Components

Part #	Description
1575NYFD	1½" Red Lexan Adjustable Fog Nozzle NYFD
1875NYFDPL	1½" Straight Stream Nozzle NYFD - ½" Orifice
RACNIP25NYFDXFM	2½" Brass Rack Nipple Female NYFD x Male NYFD (2 Parts)
APRD250NYFD	2½" Rough Brass Pressure Restricting Device FNYFD x MNYFD, UL
AVAPRF250-IW	2½" Rough Brass Pressure Restricting Angle Hose Valve FNPT x FNPT, *UL
HOSECVR-RA32	Red PVC Hose Rack Cover w/ Velcro Fastener 32" H x 22" W

* Contact factory for additional Listing/Approval information.

2.5" Hose Rack Assemblies

Designed for immediate means of fire control. Meets the NFPA standard for Class I service.

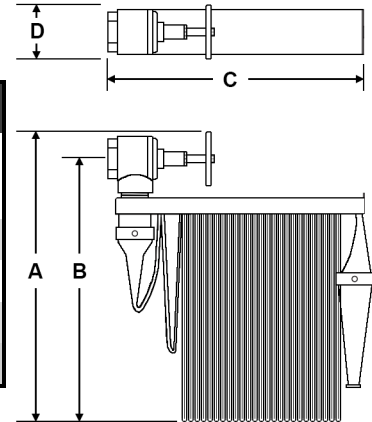
Furnished complete with all components shown below.

Part Number	Valve	Hose	Hose	Dimensions			
	Size	Size	Length	A	B	C	D
HRA25255-NYFD	2½"	2½"	50'	34"	31½"	23 5/8"	6"
HRA25257-NYFD	2½"	2½"	75'	34"	31½"	23 5/8"	6"
HRA25251-NYFD	2½"	2½"	100'	34"	31½"	23 5/8"	6"
HRA2525125-NYFD	2½"	2½"	125'	34"	31½"	23 5/8"	6"



Standard Components

Qty	Component Part #	Description
1	HSERH25-NYFDB	2½" 500 PSI (TEST) *UL Rack Hose w/ Brass Couplings NYFD (Max. 50' continuous lengths per NYC Code)
1	RACK2525	Red Enamel Pin Rack for 2½" Valve, 2½" Hose, 125' Capacity
1	RACNIP25-NYFD	2½" NYFD Rack Nipple (2½" Male NPT x 2½" Male NYFD)
1	V25FFRB	2½" Female x Female NPT Angle Rough Brass Hose Valve 300 PSI *UL
1	187525NYFDIR	2½" X 15" Cast Iron Straight Stream Nozzle NYFD (Red)



Optional Components

Part #	Description
RACNIP25NYFDFXM	2½" Brass Rack Nipple Female NYFD x Male NYFD (2 Parts)
APRD250NYFD	2½" Rough Brass Pressure Restricting Device FNYFD x MNYFD, UL
AVAPRF250-IW	2½" Rough Brass Pressure Restricting Angle Hose Valve FNPT x FNPT, *UL

* Contact factory for additional Listing/Approval information.