



AMERICAN FIRE SUPPLY

THE BEST IN FIRE PROTECTION EQUIPMENT

PRODUCT
CATALOG
for
NEW
YORK
CITY



Payment Terms

Net 30 Days (with approved credit).

1 1/2% interest charge per month may be assessed against invoices not paid within 30 days. American Fire Supply accepts all major credit cards.

Taxes

All prices and quotations are subject to local, federal, and state taxes where applicable.

Quotation Terms

Quotations are honored for 30 days from the date of quotation.

Freight

F.O.B. shipping point with no freight allowance unless otherwise specified. All small shipments are shipped via UPS only. Freight shipments within New England are shipped via Ross Express. Freight shipments outside of New England are shipped best way, prepaid and add. Any shipping instructions are subject to acceptance by seller.

Catalog Specifications

American Fire Supply has the right to substitute material and/or change the design or other specifications, as shown and illustrated in any of our printed text, without accountability to purchasers.

Returned Goods

Merchandise may not be returned for credit without the prior approval of American Fire Supply. An RMA# (return material authorization) is required for all returns. American Fire Supply will accept returned merchandise in its original condition minus a 30% restocking fee and any shipping charges as long as merchandise is returned within 90 days from date of invoice. Credit will apply to future purchases only.

Custom Goods

Returns will not be accepted for custom and/or special ordered material.

Damaged Goods

If the purchaser receives damaged merchandise, the purchaser must notify American Fire Supply within 10 business days. Damaged merchandise may be returned upon thorough examination.

Liability

American Fire Supply accepts no liability for costs of field labor or materials to adjust, change, or correct any product.

Warranty

American Fire Supply warrant products, for one year from the date of shipment, to be free from defects in material and workmanship when properly installed and maintained under normal use and service. Any field modifications may negate this warranty coverage. Warranty coverage is limited to the material replacement of the defective product and does not extend to incidental or consequential damages of any nature.

TABLE of CONTENTS

Adapters **32 - 33**

Double Female Adapters - Double Male Adapters -
Female x Male Adapters - Test Nipples

Cabinets **4 - 9**

Storage Cabinets - Valve Cabinets - Hose Cabinets

Fire Department Connections **13 - 25**

FDC Inlets (complete) - FDC Bodies - High Pressure
FDCs - Test Headers - Roof Manifolds

Fire Dept. Conn. Accessories **26 - 27**

Swivel Snoots - Male Snoots - Caps - Breakable Caps
- Reducers

Hose Rack Assemblies **28 - 29**

Standard Components - Optional Components

Hose Rack Accessories **30 - 31**

Hoses - Racks - Rack Nipples - Reducers - Nozzles

Valves **10 - 12**

Angle Hose Valves - Pressure Restricting Valves -
Gate Valves

Lobby Storage Cabinets (2008 NYC Building Code)

Storage cabinets and equipment designed to meet requirements of section 905.3.1 of NYC Building Code 2008. Each cabinet is constructed of 20 gauge cold rolled steel with a white powder coat finish. Standard available trim styles are 3/8" recessed and surface mounted. Fire rated option (mineral wool insulation) is UL Listed for one and two hour combustable and non-combustible wall system building codes, available for recessed cabinets.

Models NYCLSCR and NYCLSCSM Lobby Storage Cabinets come with a solid door and cylinder lock, a shelf, and are sized to contain NYCLSCEQ comprised of 375' of 1.5" hose furnished in (7) 50' lengths and (1) 25' length, (3) open nozzles, (2) 1.5" spanner wrenches, (2) 2.5" spanner wrenches, and (2) 2.5" by 1.5" non-swivel reducing couplings.

Models NYCKSCR and NYCKSCSM Key Storage Cabinets come with a solid door and Yale lock openable by an FDNY standard key.



NYCLSCRSM with NYCLSCEQ

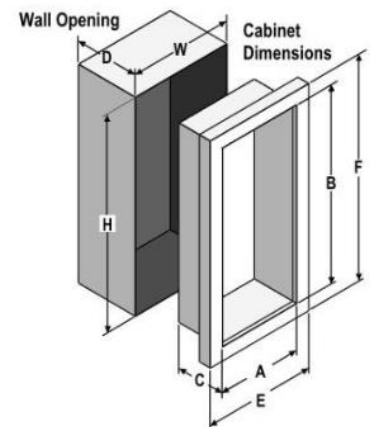
Cabinet Models & Dimensions

Part #	Trim Style	Trim Depth	Inside Box			Outside Trim		Wall Opening (Non-rated)			Wall Opening (Fire Rated)		
			A	B	C	E	F	Width	Height	Depth	Width	Height	Depth
NYCLSCR	Recessed	3/8	24	38 3/4	8	27 3/8	42 1/8	25	39 3/4	7 7/8	26 5/16	41 1/16	8 15/16
NYCLSCSM	Surface	----	27 3/16	41 15/16	8 1/2	27 3/8	42 1/8	----	----	----	----	----	----
NYCKSCR	Recessed	3/8	5 1/4	5 1/4	2 1/2	8 1/8	8 1/8	5 1/2	5 1/2	3	----	----	----
NYCKSCSM	Surface	----	5 1/4	5 1/4	2 1/2	5 5/16	5 5/16	----	----	----	----	----	----

All dimensions are in inches.

Cabinet Equipment

Part #	Description
NYCLSCEQ	Equipment for NYCLSCR and NYCLSCSM Cabinets
Qty	Component Part #
Each Set of Equipment Includes the following:	
7	HSERH50-NYFDB 1.5" x 50' Rack Hose w/ Brass Couplings NYFD
1	HSERH25-NYFDB 1.5" x 25' Rack Hose w/ Brass Couplings NYFD
3	1875NYFDPL 1.5" x 10" Red Polycarbonate Straight Stream Nozzle NYFD - 1/2" Orifice
2	SPANNERPL15 Spanner Wrench for 1.5" Pin Lugs
2	SPANNERPL25 Spanner Wrench for 2.5" Pin Lugs
2	327NYFD 2.5" F NYFD x 1.5" M NYFD Rough Brass Pin Lug Reducer



Lobby Storage Cabinets (2014 NYC Building Code)

Storage cabinets and equipment designed to meet requirements of section 905.3.1 of NYC Building Code 2014. Each cabinet is constructed of 20 gauge cold rolled steel with a white powder coat finish, and solid door with Yale lock operable by an FDNY standard key. Standard available trim styles are 3/8" recessed and surface mounted. Fire rated option (mineral wool insulation) is UL Listed for one and two hour combustibile and non-combustibile wall system building codes, available for recessed cabinets.

Models NYCSC2626R and NYCS2626SM are sized to contain NYCSC2626EQ comprised of 125' of 1.5" hose furnished in (2) 50' lengths and (1) 25' length, (1) 1.5" spanner wrench, (1) 2.5" spanner wrench, (1) 2.5" by 1.5" non-swivel reducing coupling, and (1) 1.5" polycarbonate adjustable fog nozzle.

Models NYCSC1818R and NYC1818SM are designed for R-2 occupancies in which the hose can be omitted, and are sized to contain (1) 1.5" spanner wrench, (1) 2.5" spanner wrench, (1) 2.5" by 1.5" non-swivel reducing coupling, and (1) 1.5" polycarbonate adjustable fog nozzle.

One set of equipment is to be stored in each cabinet when serving one standpipe riser, and two sets of equipment are to be stored in each cabinet when serving two or more risers. Select cabinet model, corresponding equipment, and sets of equipment below.



NYCSC1818R

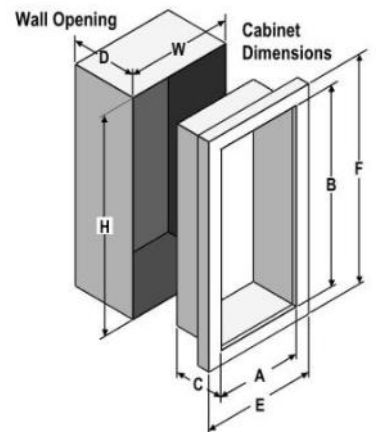
Cabinet Models & Dimensions

Part #	Trim Style	Trim Depth	Inside Box			Outside Trim		Wall Opening (Non-rated)			Wall Opening (Fire Rated)		
			A	B	C	E	F	Width	Height	Depth	Width	Height	Depth
NYCSC1818R	Recessed	3/8	18	18	8	21 3/8	21 3/8	19	19	7 7/8	20 5/16	20 5/16	8 15/16
NYCSC1818SM	Surface	----	21 3/16	21 3/16	8 1/2	21 3/8	21 3/8	----	----	----	----	----	----
NYCSC2626R	Recessed	3/8	26	26	10	29 3/8	29 3/8	27	27	9 7/8	28 5/16	28 5/16	10 15/16
NYCSC2626SM	Surface	----	29 3/16	29 3/16	10 1/2	29 3/8	29 3/8	----	----	----	----	----	----

All dimensions are in inches.

Cabinet Equipment

Part #		Description	
NYCSC1818EQ		Equipment for NYCSC1818R and NYCSC1818SM Cabinets	
One	Two	← SELECT # of RISERS/SETS OF EQUIPMENT	
Qty (Per Cabinet)	Component Part #		
1	2	SPANNERPL15	Spanner Wrench for 1.5" Pin Lugs
1	2	SPANNERPL25	Spanner Wrench for 2.5" Pin Lugs
1	2	327NYFD	2.5" F NYFD x 1.5" M NYFD Rough Brass Pin Lug Reducer
1	2	1575NYFD	1.5" Red Polycarbonate Adjustable Fog Nozzle NYFD
NYCSC2626EQ		Equipment for NYCSC2626R and NYCSC2626SM Cabinets	
One	Two	← SELECT # of RISERS/SETS OF EQUIPMENT	
Qty (Per Cabinet)	Component Part #		
2	4	HSERH50-NYFDB	1.5" x 50' Rack Hose w/ Brass Couplings NYFD
1	2	HSERH25-NYFDB	1.5" x 25' Rack Hose w/ Brass Couplings NYFD
1	2	SPANNERPL15	Spanner Wrench for 1.5" Pin Lugs
1	2	SPANNERPL25	Spanner Wrench for 2.5" Pin Lugs
1	2	327NYFD	2.5" F NYFD x 1.5" M NYFD Rough Brass Pin Lug Reducer
1	2	1575NYFD	1.5" Red Polycarbonate Adjustable Fog Nozzle NYFD



Valve Cabinets

Designed to hold fire hose valves (and extinguishers on some models). Doors are flush with a 5/8" door stop and are attached by a continuous hinge. Standard hardware includes a zinc plated handle and roller catch.

NYC Code compliant.



JL8515F10

Select Door & Frame Material

Door and Frame Material

Standard

Cold rolled steel with white powder coat finish, 20 gauge.

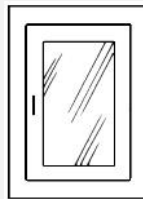
Optional

- **AL** Aluminum with a clear anodized finish, 18 gauge. Surface mounted models have square edge trim and clear anodized aluminum tubs. All other models have a cold rolled steel tub with a powder coated finish.
- **SS** Stainless steel type 304 with a #4 finish, 20 gauge. Surface mounted models have rolled edge trim and stainless steel tubs with a galvanized rear panel. All other models have a cold rolled steel tub with a powder coated finish.

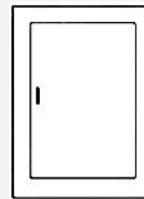
Select Door Style

Door Style

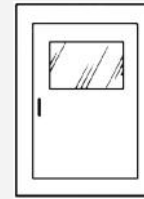
- **F** Full Glazing
- **S** Solid
- **D** Horizontal Duo
- **V** Vertical Duo



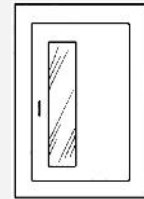
Full Glazing



Solid



Horizontal Duo



Vertical Duo

Select Glazing

Door Glazing (if not solid door)

Standard

- **10** Clear Acrylic

Optional

- **13** Wire Glass w/ Safety Film
- **15** Bronze Acrylic
- **16** Gray Acrylic
- **17** Clear Tempered Glass
- **18** Laminated Safety Glass

Select Options

Options

- **FX2** Fire Rating - Fabricated in accordance with the UL label for 1 and 2 hour combustible and non-combustible wall system building codes. Utilizes Firespan™ 90 by Thermafiber®, a lightweight, foil-faced mineral wool insulation.
- **D** Die Cut Lettering - Offers cabinet identification. Specify color (red, black, or white) and orientation (horizontal or vertical).

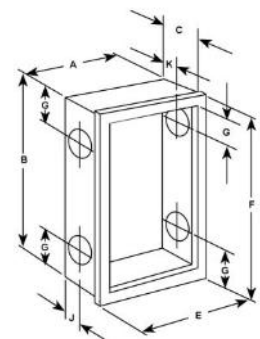
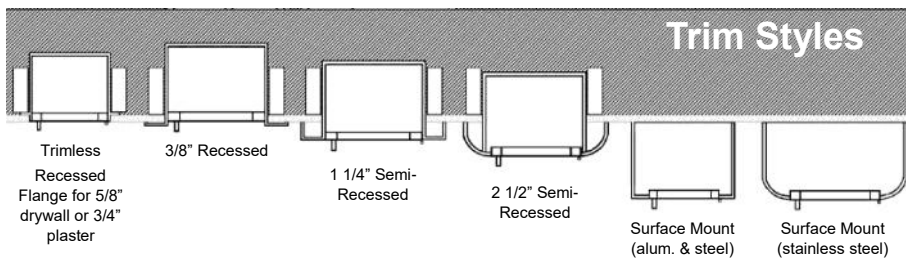
CABINETS

Models & Dimensions

* All dimensions are in inches. * Knockouts are not available on stainless steel or fire-rated cabinets.
 * Add 5/8" to depth of wall opening required for aluminum cabinets.

Part #	Trim Style	Trim Depth	Inside Box			Outside Trim		Knockout Locations			Wall Opening (Non-rated)			Wall Opening (Fire Rated)			Recommended Interior Capacity
			A	B	C	E	F	J	G	K	Width	Height	Depth	Width	Height	Depth	
JL8515	Recessed	3/8	18	18	8	21 3/8	21 3/8	4	9	2 1/2	19	19	7 7/8	20 5/16	20 5/16	8 15/16	(1) 2 1/2" angle hose valve w/ cap
JL8516	Semi-recessed	1 1/4	18	18	8	21 3/8	21 3/8	4	9	2 1/2	19	19	6 7/8	20 5/16	20 5/16	7 15/16	
JL8517	Semi-recessed	2 1/2	18	18	8	21 3/8	21 3/8	4	9	2 1/2	19	19	5 5/8	20 5/16	20 5/16	6 11/16	
JL8514	Trimless	---	18	18	8	20 1/2	20 1/2	4	9	4	19	19	8 1/8	20 5/16	20 5/16	8 11/16	
JL8513	Surface	---	21 3/16	21 3/16	8 1/2	21 3/8	21 3/8	---	---	---	---	---	---	---	---	---	
JL8415	Recessed	3/8	18	18	10	21 3/8	21 3/8	5	9	5	19	19	9 7/8	20 5/16	20 5/16	10 15/16	(1) 2 1/2" angle hose valve w/ reducer and cap
JL8416	Semi-recessed	1 1/4	18	18	10	21 3/8	21 3/8	5	9	5	19	19	8 7/8	20 5/16	20 5/16	9 15/16	
JL8417	Semi-recessed	2 1/2	18	18	10	21 3/8	21 3/8	5	9	5	19	19	7 5/8	20 5/16	20 5/16	8 11/16	
JL8414	Trimless	---	18	18	10	20 1/2	20 1/2	5	9	5	19	19	10 1/8	20 5/16	20 5/16	10 11/16	
JL8413	Surface	---	21 3/16	21 3/16	10 1/2	21 3/8	21 3/8	---	---	---	---	---	---	---	---	---	
JL8715	Recessed	3/8	26	26	8	29 3/8	29 3/8	4	13	4	27	27	7 7/8	28 5/16	28 5/16	8 15/16	(1) 2 1/2" angle hose valve w/ cap
JL8716	Semi-recessed	1 1/4	26	26	8	29 3/8	29 3/8	4	13	4	27	27	6 7/8	28 5/16	28 5/16	7 15/16	
JL8717	Semi-recessed	2 1/2	26	26	8	29 3/8	29 3/8	4	13	4	27	27	5 5/8	28 5/16	28 5/16	6 11/16	
JL8714	Trimless	---	26	26	8	28 1/2	28 1/2	4	13	4	27	27	8 1/8	28 5/16	28 5/16	8 11/16	
JL8713	Surface	---	29 3/16	29 3/16	8 1/2	29 3/8	29 3/8	---	---	---	---	---	---	---	---	---	
JL8615	Recessed	3/8	26	26	10	29 3/8	29 3/8	5	13	5	27	27	9 7/8	28 5/16	28 5/16	10 15/16	(1) 2 1/2" angle hose valve w/ reducer and cap
JL8616	Semi-recessed	1 1/4	26	26	10	29 3/8	29 3/8	5	13	5	27	27	8 7/8	28 5/16	28 5/16	9 15/16	
JL8617	Semi-recessed	2 1/2	26	26	10	29 3/8	29 3/8	5	13	5	27	27	7 5/8	28 5/16	28 5/16	8 11/16	
JL8614	Trimless	---	26	26	10	28 1/2	28 1/2	5	13	5	27	27	10 1/8	28 5/16	28 5/16	10 11/16	
JL8613	Surface	---	29 3/16	29 3/16	10 1/2	29 3/8	29 3/8	---	---	---	---	---	---	---	---	---	
JL8015	Recessed	3/8	16	40	9	19 3/8	43 3/8	4 1/4	6	4 1/4	17	41	8 7/8	28 5/16	28 5/16	10 15/16	(1) 2 1/2" angle hose valve w/ cap + (1) fire extinguisher
JL8016	Semi-recessed	1 1/4	16	40	9	19 3/8	43 3/8	4 1/4	6	4 1/4	17	41	8 1/8	28 5/16	28 5/16	9 15/16	
JL8017	Semi-recessed	2 1/2	16	40	9	19 3/8	43 3/8	4 1/4	6	4 1/4	17	41	6 5/8	28 5/16	28 5/16	8 11/16	
JL8014	Trimless	---	16	40	9	18 1/2	42 1/2	4 1/4	6	4 1/4	17	41	10 1/8	28 5/16	28 5/16	9 11/16	
JL8013	Surface	---	19 3/16	43 3/16	9 1/2	19 3/8	43 3/8	---	---	---	---	---	---	---	---	---	

- All 16" x 40" cabinets come standard with a heavy duty shelf located 12" up from the bottom for supporting a fire extinguisher. The shelf can be deleted at no additional cost.



Hose Cabinets

Designed to hold fire hose rack units. Doors are flush with a 5/8" door stop and are attached by a continuous hinge. Standard hardware includes a zinc plated handle and roller catch. NYC Code compliant.



JL6615F10

Select Door & Frame Material

Door and Frame Material

Standard

Cold rolled steel with white powder coat finish, 20 gauge.

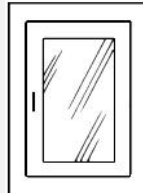
Optional

- **AL** Aluminum with a clear anodized finish, 18 gauge. Surface mounted models have square edge trim and clear anodized aluminum tubs. All other models have a cold rolled steel tub with a powder coated finish.
- **SS** Stainless steel type 304 with a #4 finish, 20 gauge. Surface mounted models have rolled edge trim and stainless steel tubs with a galvanized rear panel. All other models have a cold rolled steel tub with a powder coated finish.

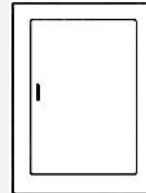
Select Door Style

Door Style

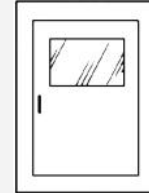
- **F** Full Glazing
- **S** Solid
- **D** Horizontal Duo
- **V** Vertical Duo



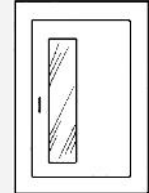
Full Glazing



Solid



Horizontal Duo



Vertical Duo

Select Glazing

Door Glazing (if not solid door)

Standard

- **10** Clear Acrylic

Optional

- **13** Wire Glass w/ Safety Film
- **15** Bronze Acrylic
- **16** Gray Acrylic
- **17** Clear Tempered Glass
- **18** Laminated Safety Glass

Select Options

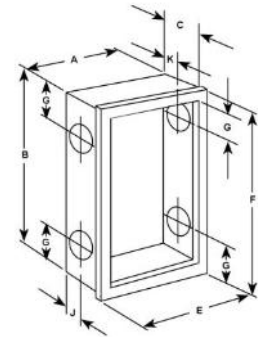
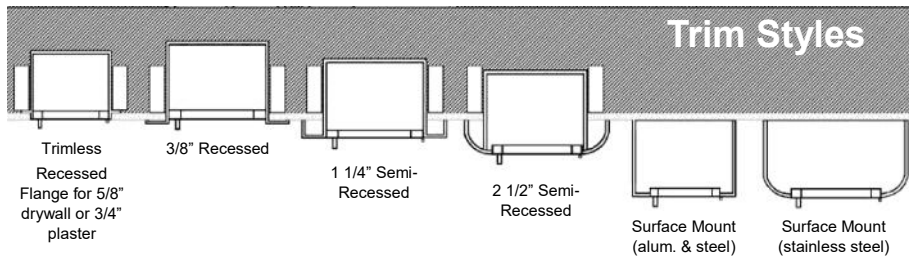
Options

- **FX2 Fire Rating** - Fabricated in accordance with the UL label for 1 and 2 hour combustible and non-combustible wall system building codes. Utilizes Firespan™ 90 by Thermafiber®, a lightweight, foil-faced mineral wool insulation.
- **D Die Cut Lettering** - Offers cabinet identification. Specify color (red, black, or white) and orientation (horizontal or vertical).

Models & Dimensions

* All dimensions are in inches. * Knockouts are not available on stainless steel or fire-rated cabinets.
 * Add 5/8" to depth of wall opening required for aluminum cabinets.

Part #	Trim Style	Trim Depth	Inside Box			Outside Trim		Knockout Locations			Wall Opening (Non-rated)			Wall Opening (Fire Rated)			Recommended Interior Capacity
			A	B	C	E	F	J	G	K	Width	Height	Depth	Width	Height	Depth	
JL6615	Recessed	3/8	24	38 3/4	8	27 3/8	42 1/8	4	4	2 1/2	25	39 3/4	7 7/8	26 5/16	41 1/16	8 15/16	(1) 125' hose rack assembly
JL6616	Semi-recessed	1 1/4	24	38 3/4	8	27 3/8	42 1/8	4	4	2 1/2	25	39 3/4	6 7/8	26 5/16	41 1/16	7 15/16	
JL6617	Semi-recessed	2 1/2	24	38 3/4	8	27 3/8	42 1/8	4	4	2 1/2	25	39 3/4	5 5/8	26 5/16	41 1/16	6 11/16	
JL6614	Trimless	----	24	38 3/4	8	26 1/2	36 1/4	4	4	4	25	39 3/4	8 1/8	26 5/16	41 1/16	8 11/16	
JL6613	Surface	----	27 3/16	41 15/16	8 1/2	27 3/8	42 1/8	----	----	----	----	----	----	----	----	----	
JL7215	Recessed	3/8	32 3/4	38 3/4	8	36 1/8	42 1/8	4	4	2 1/2	33 3/4	39 3/4	7 7/8	35 1/16	41 1/16	8 15/16	(1) 150' hose rack assembly + (1) fire dept angle valve or extinguisher
JL7216	Semi-recessed	1 1/4	32 3/4	38 3/4	8	36 1/8	42 1/8	4	4	2 1/2	33 3/4	39 3/4	6 7/8	35 1/16	41 1/16	7 15/16	
JL7217	Semi-recessed	2 1/2	32 3/4	38 3/4	8	36 1/8	42 1/8	4	4	2 1/2	33 3/4	39 3/4	5 5/8	35 1/16	41 1/16	6 11/16	
JL7214	Trimless	----	32 3/4	38 3/4	8	35 1/4	41 1/4	4	4	4	33 3/4	39 3/4	8 1/8	35 1/16	41 1/16	8 11/16	
JL7213	Surface	----	35 15/16	41 15/16	8 1/2	36 1/8	42 1/8	----	----	----	----	----	----	----	----	----	



Angle Hose Valve

Used as a Fire Department Outlet Connection.

Rated for 300 PSI max operating pressure.

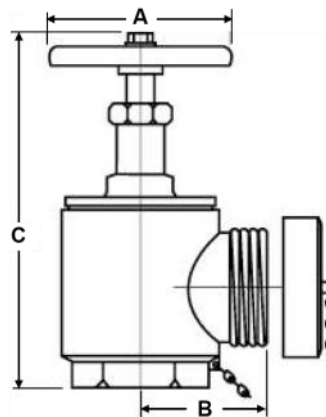
U/L listed & NYFD Approved. Contact us for current approvals.



V25GMRB NYFD

Part Number	Size	Configuration	Finish
V25FMRB NYFD	2 1/2"	Female NPT x Male NYFD	Rough Brass
V25FMPB NYFD	2 1/2"	Female NPT x Male NYFD	Polished Brass
V25FMPC NYFD	2 1/2"	Female NPT x Male NYFD	Polished Chrome
V25GMRB NYFD	2 1/2"	Groove x Male NYFD	Rough Brass
V25GMPB NYFD	2 1/2"	Groove x Male NYFD	Polished Brass
V25GMPC NYFD	2 1/2"	Groove x Male NYFD	Polished Chrome

	2 1/2"
A	5"
B	3.1875"
C Open (Threaded)	11"
C Open (Grooved)	11.8"
C Closed (Threaded)	9.25"
C Closed (Grooved)	10.5"



Optional Accessories



Reducers

Available in a variety of finishes



Caps & Chains

Available in a variety of finishes

Pressure Restricting Angle Hose Valve

Used as a Fire Department Outlet Connection in standpipe systems. Restricting valves reduce downstream water pressures under flowing conditions. Settings are field-adjustable and can be overridden if full flow is required.

Rated for 300 PSI max operating pressure. U/L listed (175 PSI as a restricting valve) & NYFD Approved. Contact us for current approvals.



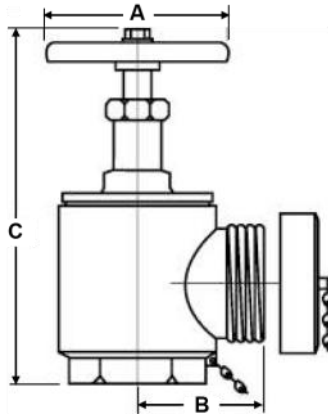
AVAPR250F-IW-NYFD



AVAPR250F-IGW-NYFD

Part Number	Size	Configuration	Finish
AVAPR250F-IW-NYFD	2 1/2"	Female NPT x Male NYFD	Rough Brass
AVAPR250FPB-IW-NYFD	2 1/2"	Female NPT x Male NYFD	Polished Brass
AVAPR250FPC-IW-NYFD	2 1/2"	Female NPT x Male NYFD	Polished Chrome
AVAPR250F-IGW-NYFD	2 1/2"	Groove x Male NYFD	Rough Brass
AVAPR250FPB-IGW-NYFD	2 1/2"	Groove x Male NYFD	Polished Brass
AVAPR250FPC-IGW-NYFD	2 1/2"	Groove x Male NYFD	Polished Chrome

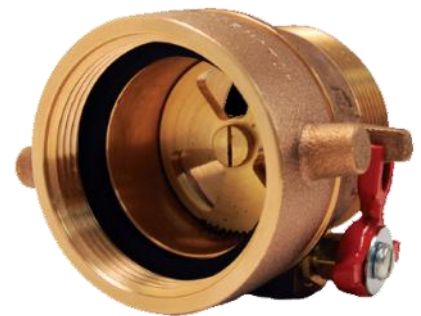
	2 1/2"
A	5"
B	3.1875"
C Open (Threaded)	11"
C Open (Grooved)	12"
C Closed (Threaded)	9.25"
C Closed (Grooved)	10.125"



Pressure Restricting Device

Used to reduce water pressure under flowing conditions. Attaches directly to the outlet of NYFD threaded standpipe hose valves, as well as rack nipples for use in hose rack assemblies.

Rated for 175 PSI max operating pressure. U/L listed & NYC Approved.



APRD250NYFD

Part Number	Size	Configuration	Finish
APRD250NYFD	2 1/2"	Female x Male NYFD	Rough Brass
APRD250PBNYFD	2 1/2"	Female x Male NYFD	Polished Brass
APRD250PCNYFD	2 1/2"	Female x Male NYFD	Polished Chrome



Hydrant Gate Valve - 300 PSI Rated

Used to throttle the flow of a fire hydrant without damaging the hydrant itself.

May also be used on fire pump test connections and test headers that have male NYFD outlets.

Features a non-rising stem and hand wheel. U/L listed*.

*Contact us for additional approvals.

Part Number	Size	Configuration
VAL078-NYFD	2½" NYFD x 2½" NYFD	Female x Male

Specify Finish:

- Rough Brass
- PC Polished Chrome



VAL078-NYFD

Wedge Disc Gate Valve - 300 PSI Rated

Intended for use on fire pump test connections and test headers, as well as roof hydrants.

Features a non-rising stem and hand wheel. U/L listed*.

*Contact us for additional approvals.

Part Number	Size	Configuration
VAL53-25NYFD	2½" NPT x 2½" NYFD	Female x Male
VAL53-3NYFD	3" NPT x 2½" NYFD	Female x Male

Specify Finish:

- RB Rough Brass
- PB Polished Brass
- PC Polished Chrome



VAL53-25NYFDRB

Exposed FDC Inlet (Complete)

Designed to provide supplemental water to a building's fire protection system. Typically, these units are wall mounted.

250 GPM per inlet; 175 PSI max operating pressure

U/L Listed, FDNY Approved. Contact us for current approvals.

- Our Exposed FDCs come furnished with body, wall plate, and plugs & chains. The plugs are painted either red, yellow, or green, to correspond with the system type per NYC code requirements.



323NYFDRBA

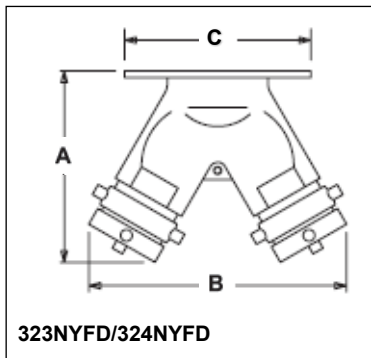
Part #	Type	Size & Configuration	A	B	C
323NYFD	2-Way	4" F NPT x 3"NYFD x 3"NYFD	8½"	12¼"	9½"
324NYFD	2-Way	6" F NPT x 3"NYFD x 3"NYFD	9½"	12½"	12"

Specify Finish:

- RB Rough Brass
- AL Rough Brass w/ Red Plate
- PB Polished Brass
- PC Polished Chrome

Specify Wall Plate Lettering:

- A Auto Spkr
- S Standpipe
- SA Standpipe & Auto Spkr
- DS Dry Standpipe



Exposed FDC Inlet (Bodies Only) - Straight

An exposed type fire department inlet connection is designed to provide supplemental water to a building's fire protection system. Typically, these units are wall mounted. 3" NYFD threaded swivel inlet connections.

250 GPM per inlet; 175 PSI max operating pressure

U/L Listed, FDNY Approved. Contact us for current approvals.

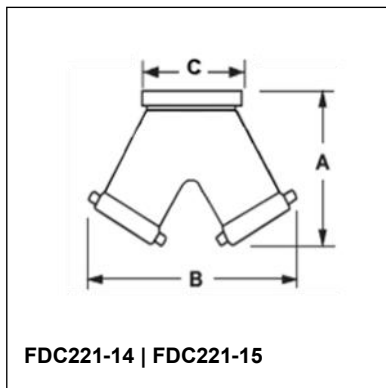


FDC221-14

Model #	Size & Configuration	Clappers	A	B	C
FDC221-14	4" F NPT x 3" x 3"	2	7 9/16"	11 5/16"	4 15/16"
FDC221-15	6" F NPT x 3" x 3"	2	8 7/16"	11 9/16"	7 1/16"

Specify Finish:

- Rough Brass
- PB Polished Brass
- PC Polished Chrome



Optional Accessories



Round Wall Plates

Available in a variety of sizes, finishes, and lettering options



Plugs & Chains

Painted red, yellow, or green to correspond with system type.

Flush Mount FDC Inlet

Designed to provide supplemental water to a building's fire protection system. These units feature a body that's typically concealed behind a wall with only the plate, snoots, and plugs exposed.

250 GPM per inlet; 250 PSI max operating pressure

U/L Listed, FDNY Approved. Contact us for current approvals.

- **2-way standard equipment:** Units are equipped with a brass clappered concealed FDC body w/ 3" F NPT threaded inlets, wall plate, 3" F NPT x 3" F swivel NYFD snoots, and 3" iron plugs. The plugs are painted either red, yellow, or green, to correspond with the system type per NYC code requirements.



120NYFD3RBA

Part #	Type	Size	Outlet Type	Outlet Location	A	B	C
120NYFD3	2-Way	4" x 3" x 3"	Female NPT	Back	11 13/16"	7 1/4"	7 5/8"
121NYFD3	2-Way	4" x 3" x 3"	Female NPT	Bottom	11 13/16"	6 1/4"	7 5/8"
122NYFD3	2-Way	4" x 3" x 3"	Female NPT	Top	11 13/16"	6 1/4"	7 5/8"
123NYFD3	2-Way	4" x 3" x 3"	Groove	Back	11 13/16"	7 13/16"	7 5/8"
124NYFD3	2-Way	4" x 3" x 3"	Groove	Bottom	11 13/16"	6 1/4"	7 5/8"
125NYFD3	2-Way	4" x 3" x 3"	Groove	Top	11 13/16"	6 1/4"	7 5/8"
126NYFD3	2-Way	6" x 3" x 3"	Female NPT	Back	11 13/16"	8 1/4"	7 5/8"
127NYFD3	2-Way	6" x 3" x 3"	Female NPT	Bottom	11 13/16"	7 5/16"	7 5/8"
128NYFD3	2-Way	6" x 3" x 3"	Female NPT	Top	11 13/16"	7 5/16"	7 5/8"
126NYFD33	2-Way	6" x 3" x 3"	Groove	Back	11 13/16"	8 1/4"	7 5/8"
127NYFD33	2-Way	6" x 3" x 3"	Groove	Bottom	11 13/16"	7 5/16"	7 5/8"
128NYFD33	2-Way	6" x 3" x 3"	Groove	Top	11 13/16"	7 5/16"	7 5/8"

Specify Finish:

- RB Rough Brass
- PB Polished Brass
- PC Polished Chrome

Specify Wall Plate Lettering:

- A Auto Spkr
- S Standpipe
- SA Standpipe & Auto Spkr
- DS Dry Standpipe

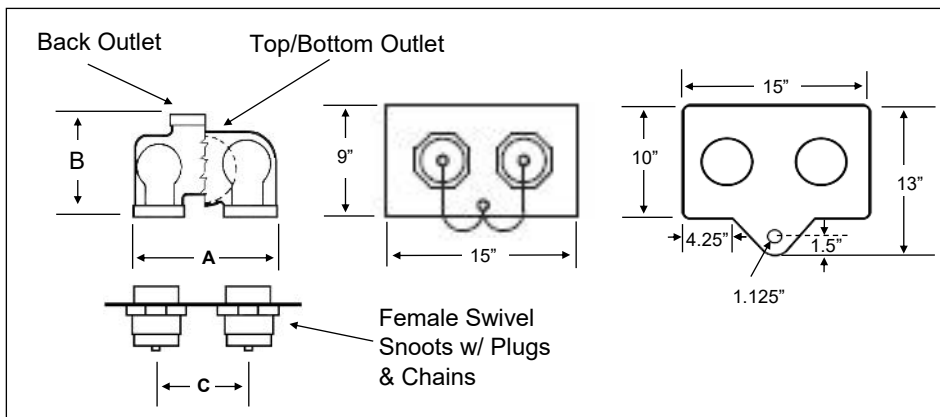
(Optional) Specify Sillcock:

- SC Plate with Sillcock



126NYFD33PCSASC

- **Optional Sillcock:** Features an extended plate with a 1 1/8" hole and a 3/4" FNPT x 3/4" GHT Sillcock.



Flush Mount Inlet (Bodies Only)

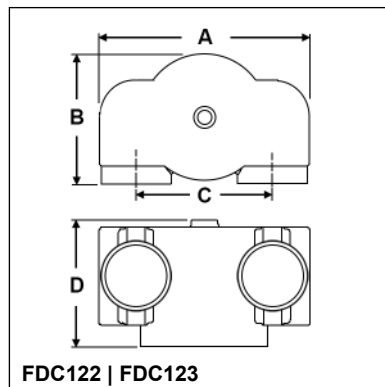
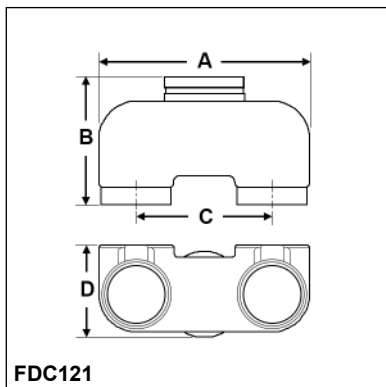
Used by the fire department to supply additional water to a building's fire protection system. These flush mounted units are generally concealed behind the outside wall of the building. Bodies are constructed of cast brass.

250 GPM per inlet, each inlet features individual drop clapper. 250 PSI max operating pressure. U/L Listed. FDNY Approved. Contact us for current approvals.



FDC121-033

Part #	Size	Outlet Type	Inlet Type	Outlet Location	A	B	C	D
FDC121-013	4" x 3" x 3"	Female NPT	Female NPT	Back	11 13/16"	7 1/4"	7 5/8"	5 3/16"
FDC122-013	4" x 3" x 3"	Female NPT	Female NPT	Bottom	11 13/16"	6 1/4"	7 5/8"	7 1/16"
FDC123-013	4" x 3" x 3"	Female NPT	Female NPT	Top	11 13/16"	6 1/4"	7 5/8"	7 1/16"
FDC121-033	4" x 3" x 3"	Groove	Female NPT	Back	11 13/16"	7 13/16"	7 5/8"	5 3/16"
FDC122-033	4" x 3" x 3"	Groove	Female NPT	Bottom	11 13/16"	6 1/4"	7 5/8"	7 1/16"
FDC123-033	4" x 3" x 3"	Groove	Female NPT	Top	11 13/16"	6 1/4"	7 5/8"	7 1/16"
FDC121-023	6" x 3" x 3"	Female NPT	Female NPT	Back	11 13/16"	8 1/4"	7 5/8"	7 1/16"
FDC122-023	6" x 3" x 3"	Female NPT	Female NPT	Bottom	11 13/16"	7 5/16"	7 5/8"	7 1/16"
FDC123-023	6" x 3" x 3"	Female NPT	Female NPT	Top	11 13/16"	7 5/16"	7 5/8"	7 1/16"
FDC121-0233	6" x 3" x 3"	Groove	Female NPT	Back	11 13/16"	8 1/4"	7 5/8"	7 1/16"
FDC122-0233	6" x 3" x 3"	Groove	Female NPT	Bottom	11 13/16"	7 5/16"	7 5/8"	7 1/16"
FDC123-0233	6" x 3" x 3"	Groove	Female NPT	Top	11 13/16"	7 5/16"	7 5/8"	7 1/16"



Free Standing FDC Inlet

Designed to provide supplemental water to a building’s fire protection system. Typically, these units are installed free-standing outside of a building.

250 GPM per inlet; 175 PSI max operating pressure

U/L Listed, FDNY Approved. Contact us for current approvals.

- Our NYC Free Standing FDCs come furnished with a double-clapper angled body, plate, 18” sleeve, and plugs & chains. The plugs are painted either red, yellow, or green, to correspond with the system type per NYC code requirements.



222NYFDRBA

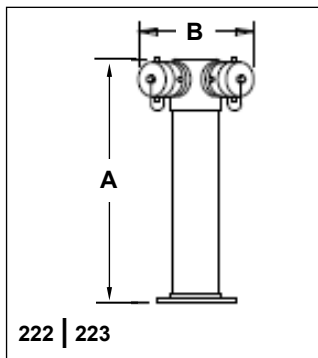
Part #	Type	Size & Configuration	A	B
222NYFD	2-Way	4” F NPT x 3” NYFD x 3” NYFD	24”	13 5/8”
223NYFD	2-Way	6” F NPT x 3” NYFD x 3” NYFD	24”	13 1/2”

Specify Finish:

- RB Rough Brass
- AL Rough Brass w/ Red Plate
- PB Polished Brass
- PC Polished Chrome

Specify Plate Lettering:

- A Auto Spkr
- S Standpipe
- SA Standpipe & Auto Spkr
- DS Dry Standpipe



Free Standing FDC Inlet (Bodies Only) - 90°

A free standing 90° type fire department inlet connection is designed to provide supplemental water to a building's fire protection system.

3" NYFD threaded swivel inlet connections.

250 GPM per inlet; 175 PSI max operating pressure

U/L Listed, FDNY Approved. Contact us for current approvals.

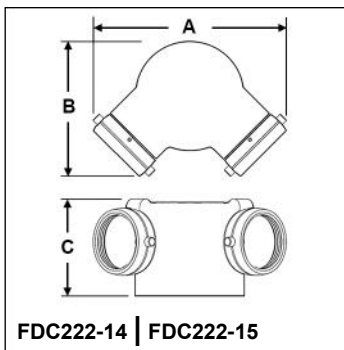


FDC222-14

Model #	Size & Configuration	Clappers	A	B	C
FDC222-14	4" F NPT x 3" x 3"	2	12 3/8"	7 9/16"	5 15/16"
FDC222-15	6" F NPT x 3" x 3"	2	12 1/4"	8 9/16"	6 1/8"

Specify Finish:

- Rough Brass
- PB Polished Brass
- PC Polished Chrome



Optional Accessories



Round Wall Plates

Available in a variety of sizes, finishes, and lettering options



Plugs & Chains

Painted red, yellow, or green to correspond with system type.



Sleeves

Available in a variety of finishes

Flush Mount High Pressure FDC Inlet

Designed to provide supplemental water to a building's fire protection system. These units feature a body that's typically concealed behind a wall with only the plate, snoots, and plugs exposed.

600 PSI max operating pressure.

FDNY Approved. Contact us for current approvals.

- **Standard equipment:** Units are equipped with a 600 psi rated 316 stainless steel clappered concealed FDC body w/ 3" F NPT threaded inlets, a satin chrome wall plate, 600 psi rated 316 stainless steel 3" F NPT x 3" F NYFD swivel snoots, and 3" iron plugs with chains. The plugs are painted either red, yellow, or green, to correspond with the system type per NYC code requirements.

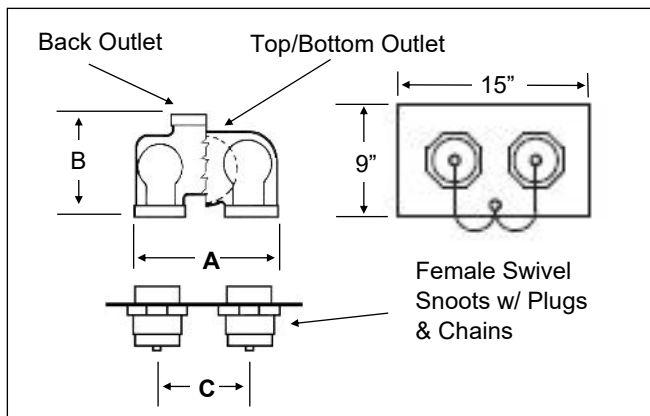


126HPNYFD33SA

Part #	Type	Size	Outlet Type	Outlet Location	A	B	C
126HPNYFD33	2-Way	6" x 3" x 3"	Groove	Back	13 1/4"	6 15/16"	7 5/8"
127HPNYFD3	2-Way	6" x 3" x 3"	Female NPT	Bottom/Top	12 13/16"	8 1/8"	7 5/8"

Specify Wall Plate Lettering:

- A Auto Spkr
- S Standpipe
- SA Standpipe & Auto Spkr



Free Standing High Pressure FDC Inlet

Designed to provide supplemental water to a building's fire protection system. Typically, these units are installed free-standing outside of a building.

600 PSI max operating pressure.

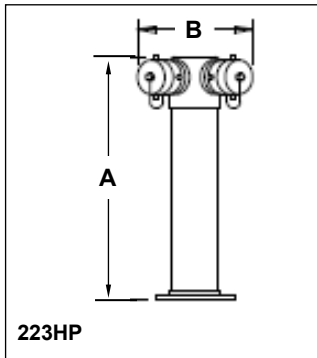
FDNY Approved. Contact us for current approvals.

- Our NYC Free Standing High Pressure FDCs come furnished with a 316 stainless steel double-clapper angled body, a satin chrome plate and 18" sleeve, and iron plugs with chains. The plugs are painted either red, yellow, or green, to correspond with the system type per NYC code requirements.

Part #	Type	Size & Configuration	A	B
223HPNYFD	2-Way	6" F NPT x 3" NYFD x 3" NYFD	24"	13"

Specify Plate Lettering:

- A Auto Spkr
- S Standpipe
- SA Standpipe & Auto Spkr



223HPNYFDSA

Free Standing Test Headers (With Valves)

Provides a means to flow test a fire pump.

250 GPM per outlet

2-way and 3-way Standard Equipment: Units are equipped with an outlet body constructed of brass, escutcheon plate, 18" long decorative sleeve, 2½" F NPT x 2½" M NYFD gate valves, and 2½" caps.

4-way and 6-way Standard Equipment: Units are equipped with an outlet body constructed of brass, escutcheon plate, 18" long decorative sleeve, 3" F NPT x 2½" M NYFD gate valves (loose bonnet style), and 2½" caps.



720RBPT

Part #	Type	Size & Configuration	A	B
720	2-Way	4" F NPT x 2½" x 2½"	30"	13"
721	2-Way	6" F NPT x 2½" x 2½"	30"	13"
730	3-Way	6" F NPT x 2½" x 2½" x 2½"	30"	19"
740	4-Way	6" F NPT x 2½" x 2½" x 2½" x 2½"	29¼"	23-9/16"
750	4-Way	6" F NPT x 2½" x 2½" x 2½" x 2½" (Square)	38¼"	21"
760	6-Way	8" F NPT x 2½" x 2½" x 2½" x 2½" x 2½" x 2½"	36-1/8"	46¼"

Specify Finish:

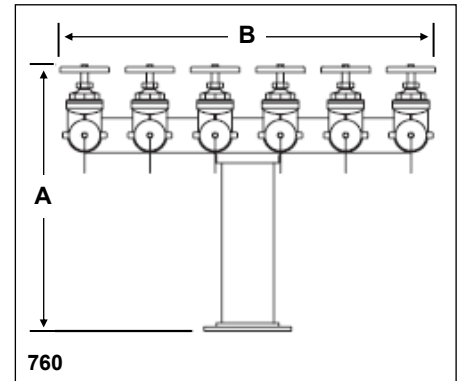
- RB Rough Brass
- AL Rough Brass w/ Red Aluminum Plate
- PB Polished Brass
- PC Polished Chrome

Specify Plate Lettering:

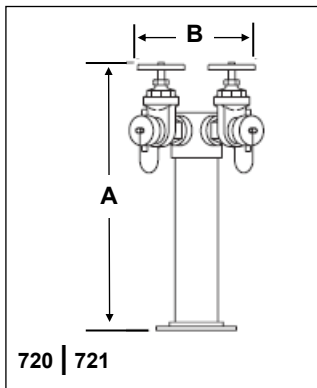
- H Hydrant
- PT Fire Pump Test
- BT Backflow Test
- 8" plate available in -PB or -PC, and with -PT lettering only

Hose Threads:

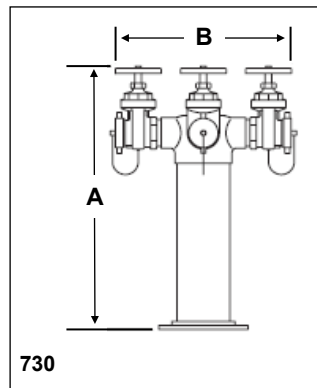
- NYFD



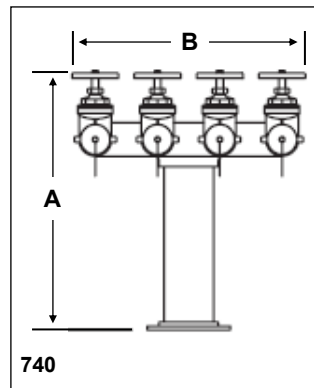
760



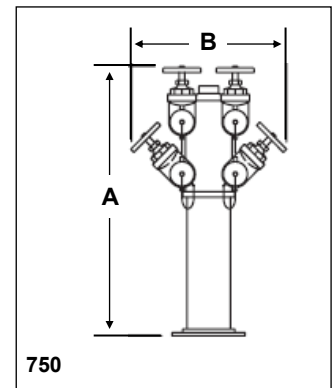
720 | 721



730



740



750

Flush Mount Test Headers (With Valves)

Provide a means to flow test a fire pump. These flush mounted units feature a body that's typically concealed behind a wall with only the plate, valves, and caps exposed. 250 GPM per outlet

- **4" 2-way Standard Equipment:** Units are equipped with a brass concealed body, wall plate, 2½" F NPT x 2½" M NYFD gate valves and 2½" caps.
- **6" 2-way Standard Equipment:** Units are equipped with a brass concealed body, wall plate, 3" F NPT x 2½" M NYFD gate valves (loose bonnet style), and 2½" caps.
- **3-way, 4-way, and 6-way Standard Equipment:** Units are equipped with a schedule 40 steel concealed body with 3" grooved outlets, wall plate, 3" F NPT x 2½" M NYFD gate valves (loose bonnet style), and 2½" caps.



520PBPTNYFD

Part #	Type	Size & Configuration	Inlet Type	Inlet Location	A	B	C
520	2-Way	4" x 2½" x 2½"	Female NPT	Back	11½"	6½"	7"
521	2-Way	4" x 2½" x 2½"	Female NPT	Top / Bottom	12"	5½"	7"
520G	2-Way	4" x 2½" x 2½"	Groove	Back	11½"	6½"	7"
521G	2-Way	4" x 2½" x 2½"	Groove	Top / Bottom	12"	5½"	7"
522	2-Way	6" x 2½" x 2½"	Female NPT	Back	11½"	7½"	7 5/8"
523	2-Way	6" x 2½" x 2½"	Female NPT	Top / Bottom	12"	9½"	7 5/8"
522G	2-Way	6" x 2½" x 2½"	Groove	Back	11½"	7½"	7 5/8"
523G	2-Way	6" x 2½" x 2½"	Groove	Top / Bottom	12"	9½"	7 5/8"
530	3-Way	6" x 2½" x 2½" x 2½"	Groove	End	23¼"	8½"	7"
531	3-Way	6" x 2½" x 2½" x 2½"	Groove	Back	19¾"	10½"	7"
532	3-Way	6" x 2½" x 2½" x 2½"	Groove	Top / Bottom	19¾"	8½"	7"
533	3-Way	6" x 2½" x 2½" x 2½"	Female NPT	End	23¼"	8½"	7"
534	3-Way	6" x 2½" x 2½" x 2½"	Female NPT	Back	19¾"	10½"	7"
535	3-Way	6" x 2½" x 2½" x 2½"	Female NPT	Top / Bottom	19¾"	8½"	7"
540	4-Way	6" x 2½" x 2½" x 2½" x 2½"	Groove	End	30¼"	8½"	7"
541	4-Way	6" x 2½" x 2½" x 2½" x 2½"	Groove	Back	26¾"	10½"	7"
542	4-Way	6" x 2½" x 2½" x 2½" x 2½"	Groove	Top / Bottom	26¾"	8½"	7"
543	4-Way	6" x 2½" x 2½" x 2½" x 2½"	Female NPT	End	30¼"	8½"	7"
544	4-Way	6" x 2½" x 2½" x 2½" x 2½"	Female NPT	Back	26¾"	10½"	7"
545	4-Way	6" x 2½" x 2½" x 2½" x 2½"	Female NPT	Top / Bottom	26¾"	8½"	7"
550	4-Way	6" x 2½" x 2½" x 2½" x 2½" (Square)	Groove	Back	14¼"	10½"	7"
551	4-Way	6" x 2½" x 2½" x 2½" x 2½" (Square)	Groove	Top / Bottom	14¼"	8"	7"
560	6-Way	8" x 2½" x 2½" x 2½" x 2½" x 2½" x 2½"	Groove	End	44¼"	9¾"	7"

Specify Finish:

- RB Rough Brass
- PB Polished Brass
- PC Polished Chrome

Specify Orientation:

- Horizontal (standard)
- V Vertical

Specify Wall Plate Lettering:

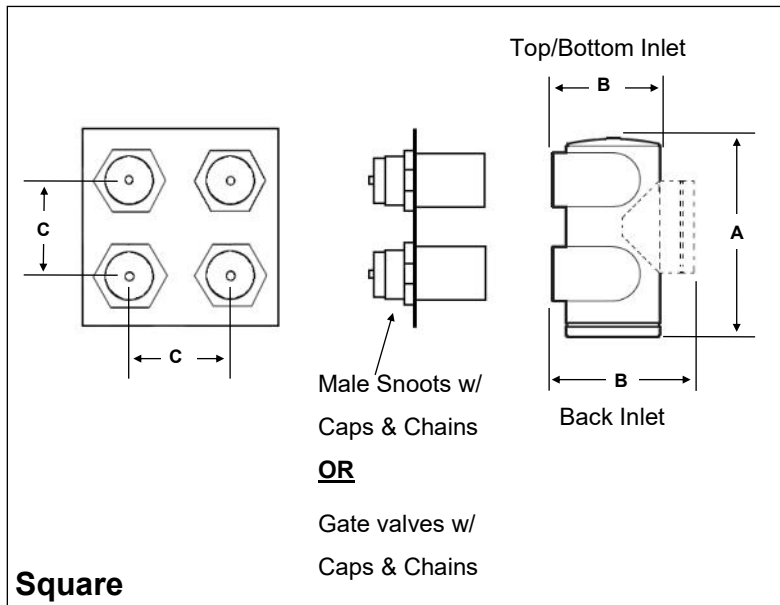
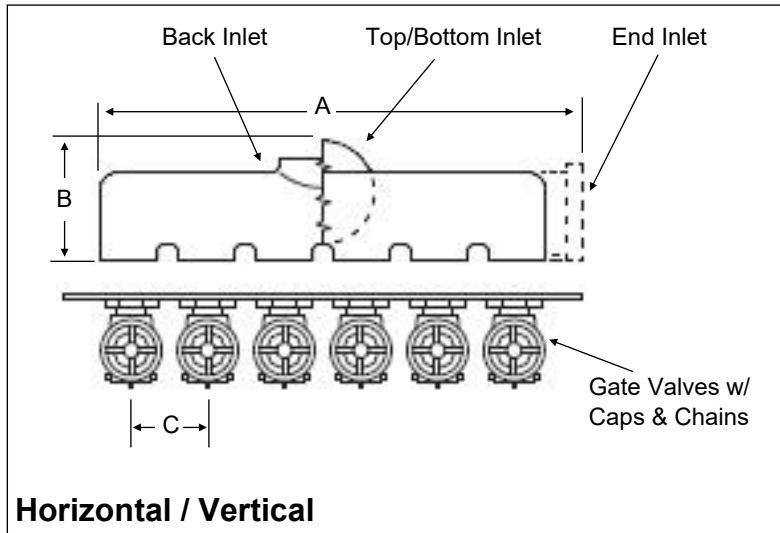
- WH Wall Hydrant
- PT Fire Pump Test

Hose Threads:

- NYFD

SEE PART DIAGRAMS ON PAGE 23

Flush Mount Test Headers (With Valves) (Cont. from pg. 22)



2-Way and 3-Way Roof Manifolds

Designed for use as a roof manifold or hydrant, these bodies act as an auxiliary outlet for the fire department when angle hose valves or straight pattern gate valves are installed. Valves are sold separately.

May also be used as a test header to flow test a fire pump or backflow preventer.

250 GPM per outlet.

Standard finish: Rough Brass



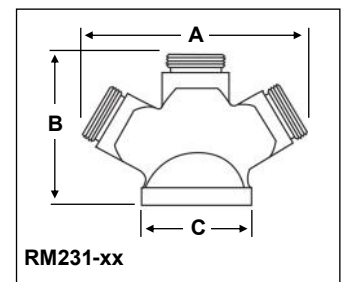
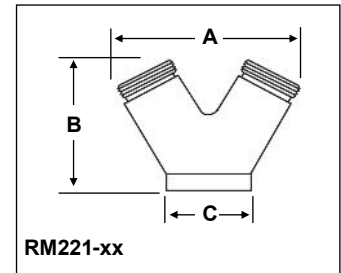
RM221-01



RM222-01

Straight Bodies

Part #	Type	Size	Outlet	A	B	C
RM221-01	2-Way	4" F NPT x (2) 2½" Male	NPT	6¾"	4 7/8"	5"
RM221-13	2-Way	4" Groove x (2) 2½" Male	NPT	6¾"	6½"	4½"
RM221-07	2-Way	6" F NPT x (2) 2½" Male	NPT	8¼"	6 3/8"	7 5/8"
RM221-08	2-Way	6" Groove x (2) 2½" Male	NPT	8¼"	8"	7 5/8"
RM231-01	3-Way	4" F NPT x (3) 2½" Male	NPT	12¾"	8¾"	5¼"
RM231-03	3-Way	6" F NPT x (3) 2½" Male	NPT	15 3/8"	9¾"	7 5/8"



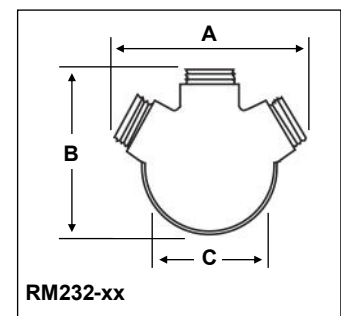
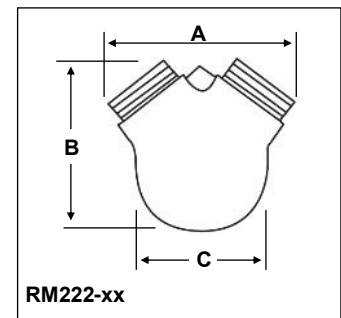
Specify Finish:

-RB Rough Brass -PB Polished Brass -PC Polished Chrome

- RM221-13 and RM221-08 Available in rough brass only

90° Bodies

Part #	Type	Size	Outlet	A	B	C
RM222-01	2-Way	4" F NPT x (2) 2½" Male	NPT	6 7/8"	7¼"	5"
RM222-06	2-Way	4" Groove x (2) 2½" Male	NPT	7½"	7¼"	4 1/2"
RM222-07	2-Way	6" F NPT x (2) 2½" Male	NPT	9"	8½"	7 1/2"
RM222-08	2-Way	6" Groove x (2) 2½" Male	NPT	9"	8½"	7 1/2"
RM232-01	3-Way	4" F NPT x (3) 2½" Male	NPT	6 3/8"	9"	7"
RM232-03	3-Way	6" F NPT x (3) 2½" Male	NPT	6 3/8"	10½"	7 1/2"



Specify Finish:

-RB Rough Brass -PB Polished Brass -PC Polished Chrome

- RM222-06 and RM222-08 Available in rough brass only

Vertical 3-Way Roof Manifolds

Serve as an auxiliary outlet for the fire department when angle hose valves (sold separately) are installed using short nipples (sold separately). These bodies are made of schedule 40 steel and have open ends available in either threaded or grooved.

250 GPM per outlet.

Standard finish: Red powder coated steel

Optional finish: Galvanized steel



RM331-02
(Shown with valves and caps installed.)

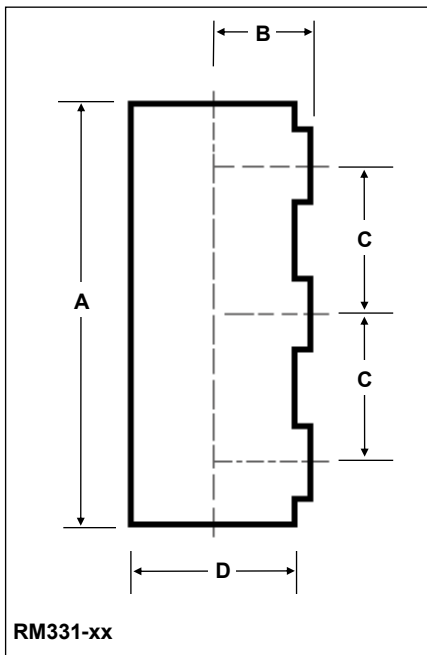
Vertical Bodies

Part #	Type	Size	A	B	C	D
RM331-01	3-Way	4" F NPT x (3) 2½" Female NPT	21"	4 3/4"	7"	4½"
RM331-03	3-Way	4" Groove x (3) 2½" Female NPT	21"	5 1/4"	7"	4½"
RM331-02	3-Way	6" F NPT x (3) 2½" Female NPT	21"	5 13/16"	7"	6 5/8"
RM331-04	3-Way	6" Groove x (3) 2½" Female NPT	21"	6 5/16"	7"	6 5/8"

Specify Finish:

- Red Painted Steel

-GA Galvanized Steel



Female Swivel Snoots

Act as inlets in concealed fire department connections. They feature a wide hex-shaped flange to keep FDC wall plates secure and provide a finished look.

Finishes include cast brass, polished brass, or polished chrome. All come standard with pin lugs.

Construction Material: Cast Brass



160RB33-NYFD

Part Number	Configuration	Finish
160RB33-NYFD	3" Female NYFD Swivel x 3" Female NPT Rigid	Rough Brass
160PB33-NYFD	3" Female NYFD Swivel x 3" Female NPT Rigid	Polished Brass
160PC33-NYFD	3" Female NYFD Swivel x 3" Female NPT Rigid	Polished Chrome

Plugs With Chains

Designed to protect female swivel threads on fire department connections. Also prevents entry of foreign matter.

Colors include green, yellow, or red to indicate system type per NYC Code.

Construction Material: Cast Iron



3113-NYFDIR-G

Part Number	Description	System Type
3113-NYFDIR-G	3" Green Cast Iron Plug With Chain NYFD	Auto Sprinkler
3113-NYFDIR-Y	3" Yellow Cast Iron Plug With Chain NYFD	Standpipe & Sprinkler
3113-NYFDIR-R	3" Red Cast Iron Plug With Chain NYFD	Standpipe

Breakable Caps

Breakable caps are designed to protect female swivel FDC inlets with pin lugs. They allow quick access when a hose connection is necessary. The caps are made with scored tabs that allow the fire department to easily remove by striking with a hydrant wrench or similar tool and include eye bolts and nuts for installation. Colors include green, yellow, or red to indicate system type per NYC Code. Green breakable caps are sold individually. Red and yellow breakable caps are sold in pairs.

Construction Material: Cast Iron



BRKCAP-3G

Part Number	Configuration	System Type
BRKCAP-3G	3" Green Cast Iron Breakable Cap with Eyebolts & Nuts (Single)	Auto Sprinkler
BRKCAP-3Y	3" Yellow Cast Iron Breakable Cap with Eyebolts & Nuts (Pair)	Standpipe & Sprinkler
BRKCAP-3R	3" Red Cast Iron Breakable Cap with Eyebolts & Nuts (Pair)	Standpipe

Male Snoots

Act as outlets in concealed test headers. They feature a wide hex-shaped flange to keep FDC wall plates secure and provide a finished look.

Finishes include cast brass, polished brass, or polished chrome.

Construction Material: Cast Brass



163A25RB-NYFD

Part Number	Configuration	Finish
163A25RB-NYFD	2 1/2" Male NYFD x 2 1/2" Female NPT Rigid	Rough Brass
163A25PB-NYFD	2 1/2" Male NYFD x 2 1/2" Female NPT Rigid	Polished Brass
163A25PC-NYFD	2 1/2" Male NYFD x 2 1/2" Female NPT Rigid	Polished Chrome
163A3RB-NYFD	2 1/2" Male NYFD x 3" Female NPT Rigid	Rough Brass
163A3PB-NYFD	2 1/2" Male NYFD x 3" Female NPT Rigid	Polished Brass
163A3PC-NYFD	2 1/2" Male NYFD x 3" Female NPT Rigid	Polished Chrome

Cap & Chain

Designed to protect male threads on valves, reducers, and snoots. Also prevents entry of foreign matter. Finishes include cast brass, polished brass, polished chrome, or plastic. All come standard with pin lugs and chain.

Standard Material: ASTM B124 37700 Brass

Optional Material: ABS Plastic



31025RB-NYFD



31025CI-NYFD

Part Number	Size	Thread	Finish
31015RB-NYFD	1 1/2"	NYFD	Rough Brass
31015PB-NYFD	1 1/2"	NYFD	Polished Brass
31015PC-NYFD	1 1/2"	NYFD	Polished Chrome
31015PL-NYFD	1 1/2"	NYFD	Red Plastic
31025RB-NYFD	2 1/2"	NYFD	Rough Brass
31025PB-NYFD	2 1/2"	NYFD	Polished Brass
31025PC-NYFD	2 1/2"	NYFD	Polished Chrome
31025PL-NYFD	2 1/2"	NYFD	Red Plastic
31025CI-NYFD	2 1/2"	NYFD	Red Cast Iron

Reducers

Used to reduce Fire Department standpipe hose connections in Class III systems. Furnished with pin lugs. Construction Material: Cast Brass

Finishes include cast brass, polished brass, or polished chrome.



327-NYFDRB

Part Number	Female Thread	Male Thread	Finish
327-NYFDRB	2 1/2" NYFD	1 1/2" NYFD	Rough Brass
327-NYFDPB	2 1/2" NYFD	1 1/2" NYFD	Polished Brass
327-NYFDPC	2 1/2" NYFD	1 1/2" NYFD	Polished Chrome

Hose Rack Assemblies

Designed for immediate means of fire control. Capable of one person operation. Meets both the NFPA standard for Class III service and nationally recognized standard of 100 GPM @ 65 PSI at the nozzle.

Furnished complete with all components shown below.

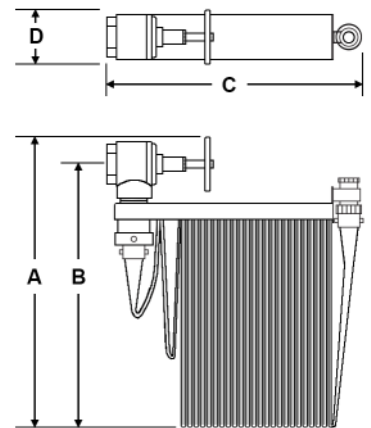
Part Number	Valve Size	Hose Size	Hose Length	Dimensions			
				A	B	C	D
HRA255-NYFDB	2½"	1½"	50'	34"	31½"	22"	5"
HRA257-NYFDB	2½"	1½"	75'	34"	31½"	22"	5"
HRA251-NYFDB	2½"	1½"	100'	34"	31½"	22"	5"
HRA25125-NYFDB	2½"	1½"	125'	34"	31½"	22"	5"



HRA25125-NYFDB

Standard Components

Qty	Component Part #	Description
1	HSERH-NYFDB	1½" 500 PSI (TEST) UL Rack Hose w/ Brass Couplings NYFD (Max. 50' continuous lengths per NYC Code)
1	RACK25	Red Enamel Pin Rack for 2½" Valve, 1½" Hose, 125' Capacity, *UL
1	RACNIP25-NYFD	2½" NYFD Rack Nipple (2½" Male NPT x 2½" Male NYFD)
1	V25FFRB	2½" Female x Female NPT Angle Rough Brass Hose Valve 300 PSI *UL
1	327NYFD	2½" Female NYFD x 1½" Male NYFD Rough Brass Pin Lug Reducer
1	1675NYFD	1½" Brass Adjustable Fog Nozzle NYFD *UL



Optional Components

Part #	Description
1575NYFD	1½" Red Lexan Adjustable Fog Nozzle NYFD
1875NYFDPL	1½" Straight Stream Nozzle NYFD - ½" Orifice
RACNIP25NYFDXFM	2½" Brass Rack Nipple Female NYFD x Male NYFD (2 Parts)
APRD250NYFD	2½" Rough Brass Pressure Restricting Device FNYFD x MNYFD, UL
AVAPRF250-IW	2½" Rough Brass Pressure Restricting Angle Hose Valve FNPT x FNPT, *UL
HOSECVR-RA32	Red PVC Hose Rack Cover w/ Velcro Fastener 32" H x 22" W

* Contact factory for additional Listing/Approval information.

2½” Hose Rack Assemblies

Designed for immediate means of fire control. Meets the NFPA standard for Class I service.

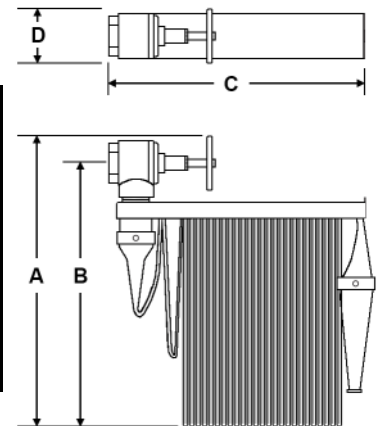
Furnished complete with all components shown below.



Part Number	Valve	Hose	Hose	Dimensions			
	Size	Size	Length	A	B	C	D
HRA25255-NYFD	2½"	2½"	50'	34"	31½"	23 5/8"	6"
HRA25257-NYFD	2½"	2½"	75'	34"	31½"	23 5/8"	6"
HRA25251-NYFD	2½"	2½"	100'	34"	31½"	23 5/8"	6"
HRA2525125-NYFD	2½"	2½"	125'	34"	31½"	23 5/8"	6"

Standard Components

Qty	Component Part #	Description
1	HSERH25-NYFDB	2½" 500 PSI (TEST) *UL Rack Hose w/ Brass Couplings NYFD (Max. 50' continuous lengths per NYC Code)
1	RACK2525	Red Enamel Pin Rack for 2½" Valve, 2 ½" Hose, 125' Capacity
1	RACNIP25-NYFD	2½" NYFD Rack Nipple (2½" Male NPT x 2½" Male NYFD)
1	V25FFRB	2½" Female x Female NPT Angle Rough Brass Hose Valve 300 PSI *UL
1	187525NYFDIR	2½" X 15" Cast Iron Straight Stream Nozzle NYFD (Red)



Optional Components

Part #	Description
RACNIP25NYFDFXM	2½" Brass Rack Nipple Female NYFD x Male NYFD (2 Parts)
APRD250NYFD	2½" Rough Brass Pressure Restricting Device FNYFD x MNYFD, UL
AVAPRF250-IW	2½" Rough Brass Pressure Restricting Angle Hose Valve FNPT x FNPT, *UL

* Contact factory for additional Listing/Approval information.

Rack Hose

Premium all synthetic single jacket lined mildew and rot resistant white rack hose. Meets or exceeds all performance requirements of NFPA 1961. Furnished in maximum 50' lengths per NYC Code with NYFD threaded rough brass pin lug couplings. 250 PSI service pressure - 500 PSI test pressure. UL Listed*

*Contact us for additional approvals.



HSERH50-NYFDB

Part Number	Size
HSERH25-NYFDB	1½" x 25'
HSERH50-NYFDB	1½" x 50'
HSERH75-NYFDB	1½" x 75'
HSERH100-NYFDB	1½" x 100'
HSERH125-NYFDB	1½" x 125'
HSERH2525-NYFDB	2½" x 25'
HSERH2550-NYFDB	2½" x 50'

Pin Racks

Red enameled steel pin racks used to store folded rack hose. Compatible with 2½" rack nipples for use in Class I (2½" hose) and Class III (1½" hose) standpipe systems. Class III pin racks are UL Listed* and include a nozzle clip and a water retention device which prevents water flow when the hose valve is open until the last hose fold is removed from the pin rack.

*Contact us for additional approvals.



RACK25

Part Number	Capacity
RACK25	Fits 2½" rack nipple and up to 125' of 1½" rack hose UL Listed* (Class III)
RACK2525	Fits 2½" rack nipple and up to 125' of 2½" rack hose (Class I)

Brass Rack Nipples

Supports Class I and Class III standpipe system pin racks and provides a hose outlet connection for fire department use when connected to the outlet of an angle hose valve. Furnished with a rough brass finish.



RACNIP25-NYFD

Part Number	Configuration
RACNIP25-NYFD	2½" Male NPT x Male NYFD
RACNIP25-NYDFDXM	2½" Female NYFD x Male NYFD (2 parts)

Reducers

Used to reduce Fire Department standpipe hose connections in Class III hose rack assemblies. Threads onto the outlet of the rack nipple. Furnished with pin lugs.

Finishes include cast brass, polished brass, or polished chrome.

Construction Material: Cast Brass

Part Number	Female Thread	Male Thread	Finish
327-NYFDRB	2½" NYFD	1 ½" NYFD	Rough Brass
327-NYFDPB	2½" NYFD	1 ½" NYFD	Polished Brass
327-NYFDPC	2½" NYFD	1 ½" NYFD	Polished Chrome



327-NYFDRB

Adjustable Fog Nozzles

Fog nozzles adjust from straight stream to fog to shutoff. They are commonly used in hose rack and reel assemblies in Class III standpipes to extinguish Class A & B fires.

These nozzles include a rubber bumper and have a 100 psi max operating pressure. Brass nozzles have a satin finish and are UL Listed.

Part Number	Description
1675NYFD	1½" Brass Adjustable Fog Nozzle NYFD UL Listed
1575NYFD	1½" Red Lexan Adjustable Fog Nozzle NYFD



1675NYFD



1575NYFD

Plain Hose Nozzles

Plain hose nozzles have an unobstructed waterway and provide a higher flow rate over a greater distance in a concentrated straight stream.

They are commonly used in hose rack assemblies in Class I and Class III standpipes to extinguish Class A & B fires.

Part Number	Description
1875NYFDIR	1½" x 15" Cast Iron Straight Stream Nozzle NYFD (Painted Silver) - 3/4" Orifice
1875NYFDPL	1½" x 10-1/8" Red Lexan Straight Stream Nozzle NYFD - ½" Orifice
187525NYFDIR	2½" X 15" Cast Iron Straight Stream Nozzle NYFD (Painted Red) - 7/8" Orifice



1875NYFDIR

1875NYFDPL

187525NYFDIR

Threaded Adapters

Our adapters feature cast brass construction as standard.

Aluminum available upon request.

NST = National Standard Hose Thread

NPT = National Tapered Pipe Thread

NPSH = National Pipe Straight Hose Thread

NYFD = New York Fire Department Hose Thread

GH = Garden Hose Thread



A15FSWNYFD-15NYFD

Double Female Swivel Adapters

Part #	Female Thread	Female Thread
A15FSWNYFD-15NYFD	1½" NYFD	1½" NYFD
A25FSWNYFD-25NYFD	2½" NYFD	2½" NYFD



A15FNYFD-15F1

Double Female Hex Adapters

Part #	Female Thread	Female Thread
A15FNYFD-15F1	1½" NYFD	1½" NST
A15FNYFD-15F2	1½" NYFD	1½" NPT
A15FNYFD-15FNYFD	1½" NYFD	1½" NYFD
A25FNYFD-25F2	2½" NYFD	2½" NPT



A15MNYFD-15M1

Double Male Hex Adapters

Part #	Male Thread	Male Thread
A15MNYFD-15M1	1½" NYFD	1½" NST
A15MNYFD-15M2	1½" NYFD	1½" NPT
A15MNYFD-15MNYFD	1½" NYFD	1½" NYFD
A15MNYFD-25M2	1½" NYFD	2½" NPT
A25MNYFD-15M2	2½" NYFD	1½" NPT
A25MNYFD-2M2	2½" NYFD	2" NPT
A25MNYFD-25M1	2½" NYFD	2½" NST
A25MNYFD-25M2	2½" NYFD	2½" NPT
A25MNYFD-25MNYFD	2½" NYFD	2½" NYFD



A25FSWNYFD-25M2

Female Swivel x Male Adapters

Part #	Female Thread	Male Thread
A15FSWNYFD-15M2	1½" NYFD	1½" NPT
A25FSWNYFD-2M2	2½" NYFD	2" NPT
A25FSWNYFD-25M2	2½" NYFD	2½" NPT

Female x Male Hex Adapters - Rigid



A15F1-15MNYFD

Part #	Female Thread	Male Thread
A15F1-15MNYFD	1½" NST	1½" NYFD
A15F2-15MNYFD	1½" NPT	1½" NYFD
A15FNYFD-15M1	1½" NYFD	1½" NST
A15FNYFD-15M2	1½" NYFD	1½" NPT
A2F2-25MNYFD	2" NPT	2½" NYFD
A25F1-25MNYFD	2½" NST	2½" NYFD
A25F2-25MNYFD	2½" NPT	2½" NYFD
A25FNYFD-15M2	2½" NYFD	1½" NPT
A25FNYFD-2M2	2½" NYFD	2" NPT
A25FNYFD-25M1	2½" NYFD	2½" NST
A25FNYFD-25M2	2½" NYFD	2½" NPT
A25FNYFD-25MNYFD	2½" NYFD	2½" NYFD
A25FNYFD-3M2	2½" NYFD	3" NPT
A3F2-3MNYFD	3" NPT	3" NYFD

Female x Male Pin Lug Adapters - Rigid



327NYFD-25M1

Part #	Female Thread	Male Thread
327NYFD15-34MGH	1½" NYFD	¾" GHT
327NYFD-34M2	2½" NYFD	¾" NPT
327NYFD-34MGH	2½" NYFD	¾" GHT
327NYFD-15M1	2½" NYFD	1½" NST
327NYFD-15M2	2½" NYFD	1½" NPT
327NYFD-15M3	2½" NYFD	1½" NPSH
327NYFD	2½" NYFD	1½" NYFD
327NYFD-2M2	2½" NYFD	2" NPT
327NYFD-25M1	2½" NYFD	2½" NST

NYC Test Nipple

Used to facilitate Fire Department Connection hydrostatic testing. Has 2" internal female straight pipe threads.



Part #	Internal Female Thread	Male Thread	Male Thread
A2F2-25M2-3MNYFD	2" IPT/NPSH	2½" NPT	3" NYFD



AMERICAN FIRE SUPPLY
222 BEMIS ROAD
FITCHBURG, MA 01420

P: 978-345-7570 | 800-252-7570
F: 978-345-7572
sales@americanfiresupply.com
www.americanfiresupply.com